

# JUKI®

No. 0006-02

1978・7

BE815NTPJA

model **MO-800**

サブクラス  
SUBCLASSES

インターロックマシン

Safety stitch sewing machine

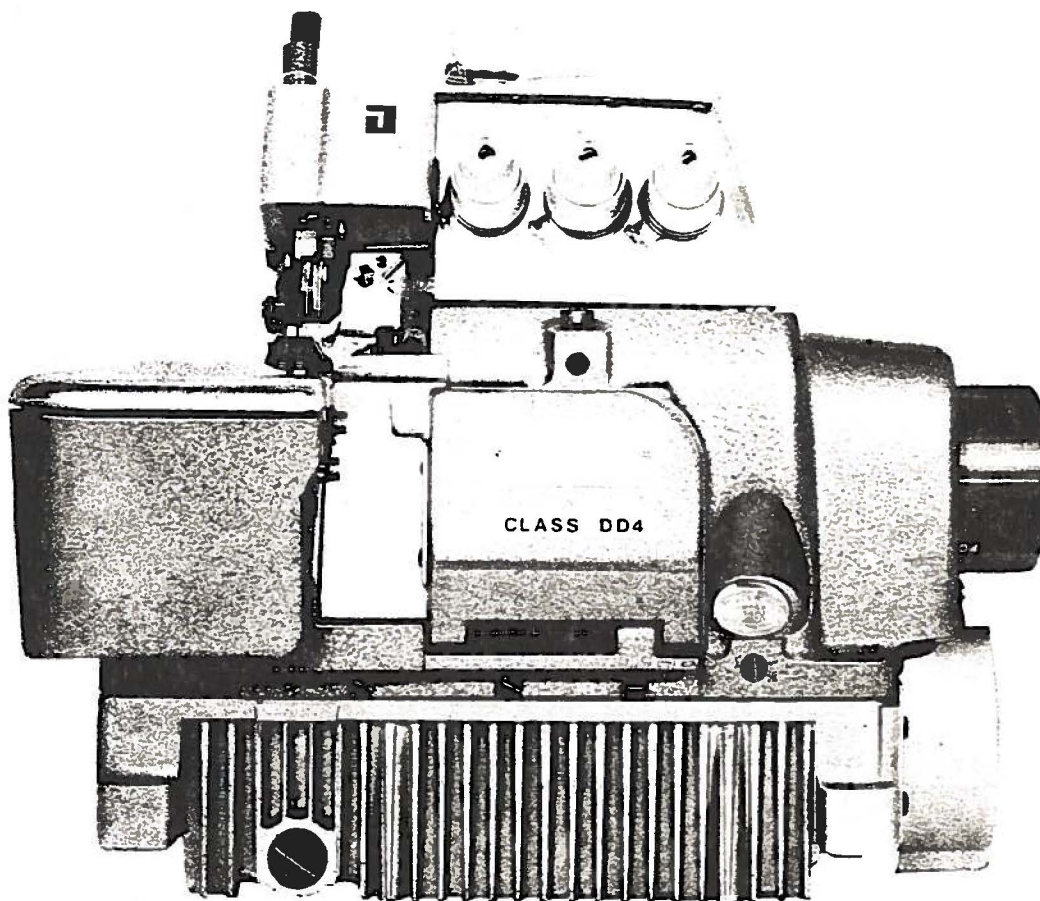
---

## PARTS BOOK

MO-815

MO-816

MO-840



**TOKYO JUKI INDUSTRIAL CO., LTD.**

From the library of: Superior Sewing Machine & Supply LLC

## HOW TO MAKE USE OF THIS PARTS BOOK

- As a basic principle, this parts book is divided into various sections according to the functions of respective parts.
- The part numbers of parts shown in the figure indicate the corresponding numbers(Ref.No.) shown by the Index.
- Explanation of codes

- ① ☆ mark ..... means this part is changed from the previous parts book.
- ② ○01..... refer to "Note" explanation at bottom of page.
- 2) Codes on the "E.C. (Engineering change)" column
  - ① A.10/74 ..... Added from October, 1974
  - ② D.1/75..... Obsoleted from January, 1975
  - ③ When D.(obsoleted) and A.(added) are indicated together  
D.12/74  
A.12/74
  - ④ When previous parts (Obsoleted part) and new parts (Added parts) are not interchangeable with each other:  
In this case, even obsoleted parts(D.) can be ordered with the obsoleted part number, so select the parts with changed dates and place your orders.

(Example)

Ref. No.	Note	Part No.	Description	E.C.	品名	Amt. Req.
	注記	品番		変更年月		数量
1	☆	B1401-100-000	Needle bar	D.12/74	ハリボー	—
1-1	☆	B1401-100-000-A	Needle bar	A.12/74	ハリボー	1

- ④ In case when previous parts and new part are interchangeable with each other:  
In this case the new part number is replaced on the "品名(Japanese)" column of the previous parts, so please order by the new part number.

(Example)

Ref. No.	Note	Part No.	Description	E.C.	品名	Amt. Req.
	注記	品番		変更年月		数量
1	☆	B1105-200-000	Frame cover	D.12/74	B1105-300-000	—
	☆	B1105-300-000	Frame cover	A.12/74	フレームカバー	1

- ④ C.3/75 ..... This indicates error was discovered in March, 1975 and so it was corrected to a new part number.  
Please note that in this case, the corrected part number is shown in the part number column and the wrong part number is shown in the "品名(Japanese)" column, so please order by the correct part number.

(Example)

Ref. No.	Note	Part No.	Description	E.C.	品名	Amt. Req.
	注記	品番		変更年月		数量
1	☆	B1105-500-000	Frame cover	C.3/75	<del>B1105-600-000</del>	1
		↑ Correct No.			↑ Wrong No.	

- ⑤ M.5/75..... The amount required is changed from March, 1975  
The new amount required is shown in the "Amt. Req." column.

### 3) Codes on the "Amt. Req." column

- 2 ..... Indicates amount required is 2.
- 20 ..... Indicates length in meters. (unit is meter)
- ..... Indicates parts obsoleted from the parts book.
- (1) ..... Indicates sub parts which construct the assembly part.  
Assembly part is shown as "asm." and クミ in Japanese, in the "Description" column.

(Example)

Ref. No.	Note	Part No.	Description	E.C.	品名	Amt. Req.
	注記	品番		変更年月		数量
10		B1105-900-0A0	Frame cover asm.		フレームカバー クミ	1
11		B1105-900-000	Frame cover		フレームカバー	(1)
12		SS-8110310-SP	Screw 11/64-40 L=2.8		トメネジ 11/64-40 L=2.8	(2)

## REQUEST WHEN ORDERING SPARE PARTS

When ordering spare parts, always state the parts Nos. (e.g. B1109-012-A00) together with either the No. of PARTS BOOK marked on top right of the cover (e.g. No. 0010-01) or the machine No. in order to avoid mis-delivery because of possible modifications of parts.

## パーツブックの見方

- このパーツブックは、原則として、機構別に分類された各項目からなっております。
- 図に示された部品の品番は、図にふられている No.(Ref. No.) に対応するインデックスによって、その品番がわかります。
- 記号の説明

### 1) “注記” 欄の記号

- ☆印……………前回のパーツブックと比較して今回変更された部品を意味します。
- ◇印……………ページ下の“注記”の説明を参照して下さい。

### 2) “変更年月” 欄の記号

- A. 10/74……………1974年10月より追加された。
- D. 1/75……………1975年1月より削除された。
- D. (削除)、A. (追加) が連記してある場合、  
D. 12/74  
A. 12/74

#### ⑤ 部品の互換性がない変更の場合

この場合は削除 (D) された品番でも御注文できますから、変更年月により、いずれかの部品を選択して御注文下さい。

[例]

Ref. No.	Note	Part No.	Description	E.C.	品名	Amt. Req. 数量
	注記	品番		変更年月		
1	☆	B1401-100-000	Needle bar	D.12/74	ハリボー	—
1-1	☆	B1401-100-000-A	Needle bar	A.12/74	ハリボー	1

#### ⑥ 部品の互換性がある場合の変更

この場合は、旧部品の和文品名欄にそれにかわる新しい品番が記入してありますので、新しい品番で御注文下さい。

[例]

Ref. No.	Note	Part No.	Description	E.C.	品名	Amt. Req. 数量
	注記	品番		変更年月		
1	☆	B1105-200-000	Frame cover	D.12/74	B1105-300-000	—
	☆	B1105-300-000	Frame cover	A.12/74	フレームカバー	1

#### ④ C 3/75……………1975年3月に品番のミスが判明した為、正しい品番に訂正された。

この場合は品番欄に正しい品番を、和文品名欄に間違いの品番が記入してありますので、正しい品番で御注文下さい。

[例]

Ref. No.	Note	Part No.	Description	E.C.	品名	Amt. Req. 数量
	注記	品番		変更年月		
1	☆	B1105-500-000	Frame cover	C.3/75	<del>B1105-600-000</del>	1
		↑	正しい品番		↑	間違っていた品番

#### ⑤ M. 5/75……………1975年5月より数量が変更になった。

この場合数量欄には新しい数量が表示してあります。

### 3) “数量” 欄の記号

- ① 2 ……数量、2個を表わします。
- ② 2.0 ……長さ、2メートルを表わします。(単位はメートルです)
- ③ — ……このパーツブックから削除された部品です。
- ④ (1) ……組部品を構成している子部品を表わします。  
組部品は品名欄に英文で “asm.” 和文で “クミ” と表示してあります。

[例]

Ref. No.	Note	Part No.	Description	E.C.	品名	Amt. Req. 数量
	注記	品番		変更年月		
10		B1105-900-0A0	Frame cover <b>asm.</b>		フレームカバー <b>クミ</b>	1
11		B1105-900-000	Frame cover		フレームカバー	(1)
12		SS-8110310-SP	Screw 11/64-40 L=2.8		トメネジ 11/64-40 L=2.8	(2)

## 補用部品御注文時のお願い

このパーツブックに記載されている補用部品を御注文の際は、必要部品の番号 (例えば、B1109-012-A00) で御要求下さい。又、いろいろの事情で部品の変更をすることがありますので、御覧のパーツブックの管理番号 (表紙右上、例えば、No. 0010-01) 又は、機械番号を併せ御連絡頂ければ幸いです。

## CONTENTS

### 目 次

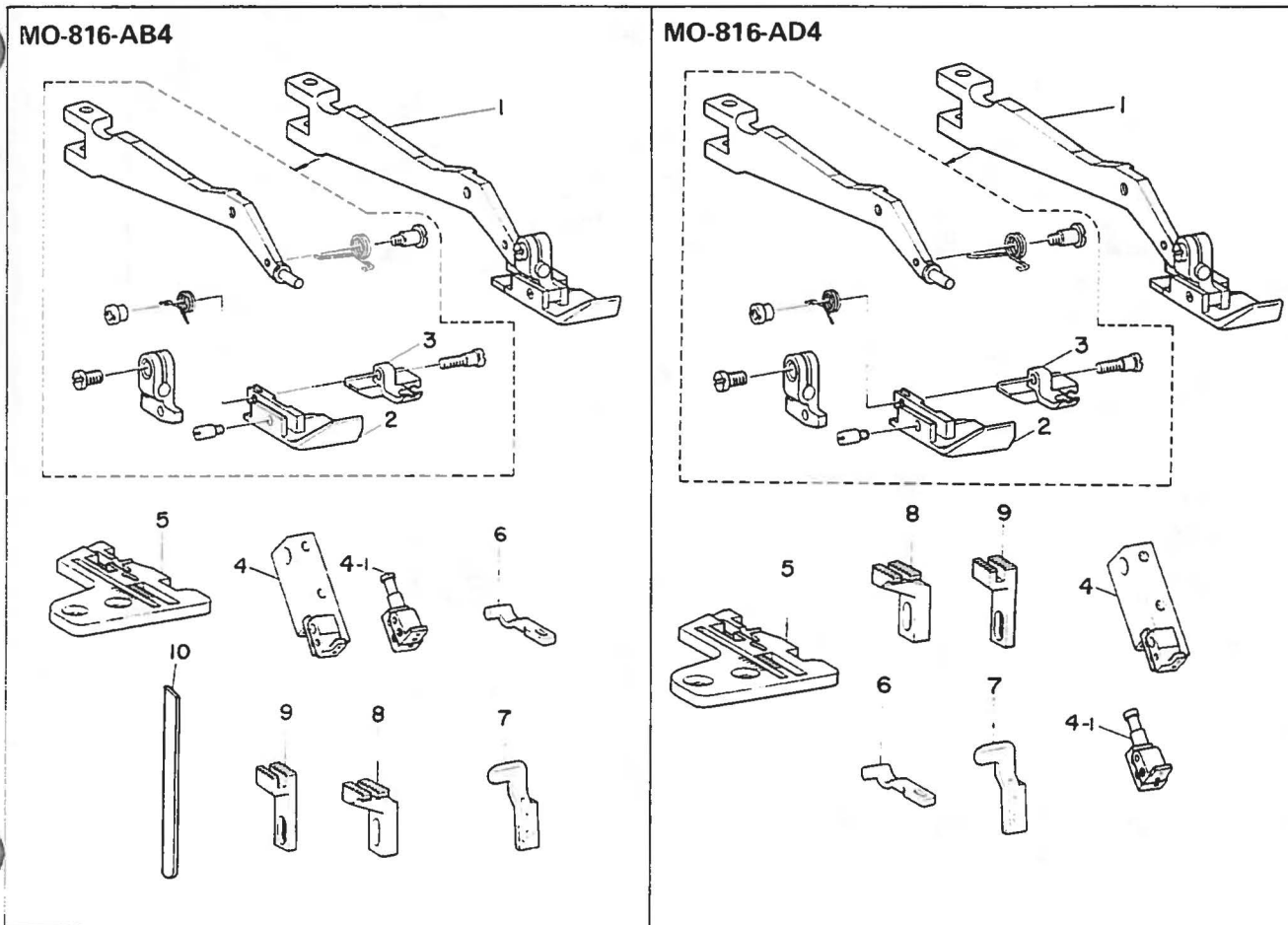
1. MO-816-AB4 ..... 1	15. MO-816-8D6 ..... 8
2. MO-816-AD4 ..... 1	16. MO-816-CE6 ..... 8
3. MO-816-AF4 ..... 2	17. MO-816-CF6 ..... 9
4. MO-816-BB4 ..... 2	18. MO-816-DD6 ..... 9
5. MO-816-BD4 ..... 3	19. MO-816-DE6 ..... 10
6. MO-816-EF4 ..... 3	20. MO-816-DF6 ..... 10
7. MO-816-BH4 ..... 4	21. MO-816-DH6 ..... 11
8. MO-816-CC4 ..... 4	22. MO-816-FD6 ..... 11
9. MO-816-CE4 ..... 5	23. MO-816-FF6 ..... 12
10. MO-816-CF4 ..... 5	24. MO-816-FH6 ..... 12
11. MO-816-CH4 ..... 6	25. MO-815 ..... 13
12. MO-816-DF4 ..... 6	26. MO-840 ..... 13
13. MO-816-DG4 ..... 7	27. NUMERICAL INDEX 索引 ..... 14
14. MO-816-DH4 ..... 7	

Other parts books related to this model :

この機種に関連するパーツブックとして下記のパーツブックがあります。

1. MO-800 Standard model (No. 0008)  
MO-800 標準機種
2. MO-800 Subclass Single-needle overlock machine (No. 0004)  
MO-800 サブクラス 一本針オーバーロックミシン
3. MO-800 Subclass Two-needle overlock machine (No. 0005)  
MO-800 サブクラス 二本針オーバーロックミシン





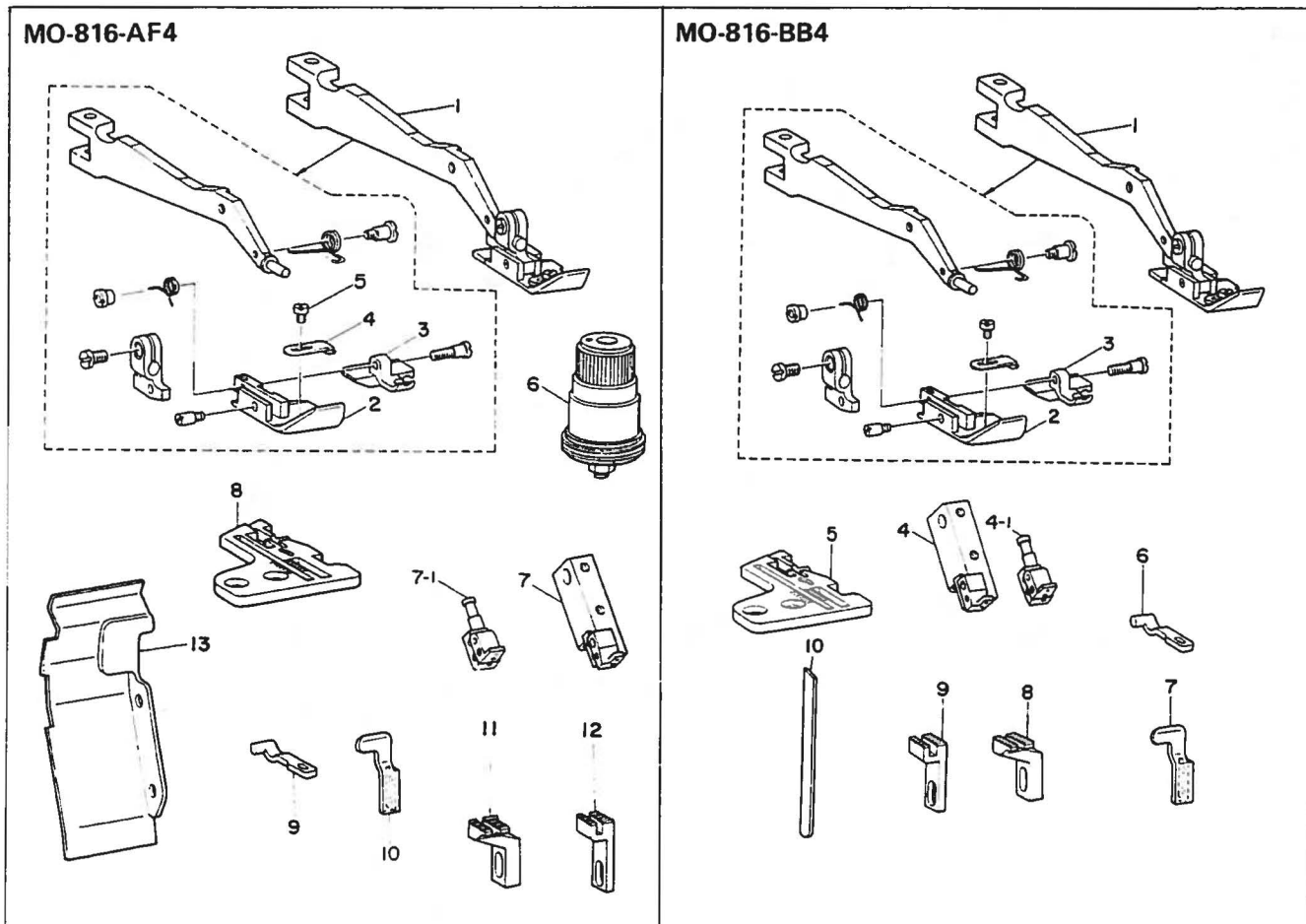
1. MO-816-AB4

Ref. No.	Note	Part No.	Description	E.C.	Amt. Req.
	注記	品番		変更年月	数量
1		B1507-816-AAB	Hinged presser foot asm. ....		1
2		B1507-816-A0B	Hinged presser foot .....		(1)
3		B1508-816-A0E	Presser foot, rear .....		(1)
4		B1419-816-AAD	Needle clamp (with needle stopper) .....	D.6/74	-
4-1		B1420-716-A00	Chain stitch needle clamp .....	A.6/74	1
5		R4504-E0B-C00	Throat plate .....		1
6		B4120-816-D0B-A	Needle guard (E) .....		1
7		B4121-816-D0B	Needle guard (D) .....		1
8		B1656-816-B0F	Main feed dog .....		1
9		B1658-816-00B	Auxiliary feed dog .....		1
10		B411B-804-000	Lower knife .....	A.11/74	1

2. MO-816-AD4

1		B1507-816-AAA	Hinged presser foot asm. ....		1
2		B1507-816-A0A	Hinged presser foot .....		(1)
3		B1508-816-A0E	Presser foot, rear .....		(1)
4		B1419-816-AAD	Needle clamp (with needle stopper) .....	D.6/74	-
4-1		B1420-716-A00	Chain stitch needle clamp .....	A.6/74	1
5		R4504-E0D-C00	Throat plate .....		1
6		B4120-816-D0B-A	Needle guard (E) .....		1
7		B4121-816-D0B	Needle guard (D) .....		1
8		B1656-816-B0F	Main feed dog .....		1
9		B1658-816-00B	Auxiliary feed dog .....		1

\* All parts not mentioned above are same as those of Model MO-816-DD4. 上記以外の部品はMO-816-DD4と共通です。



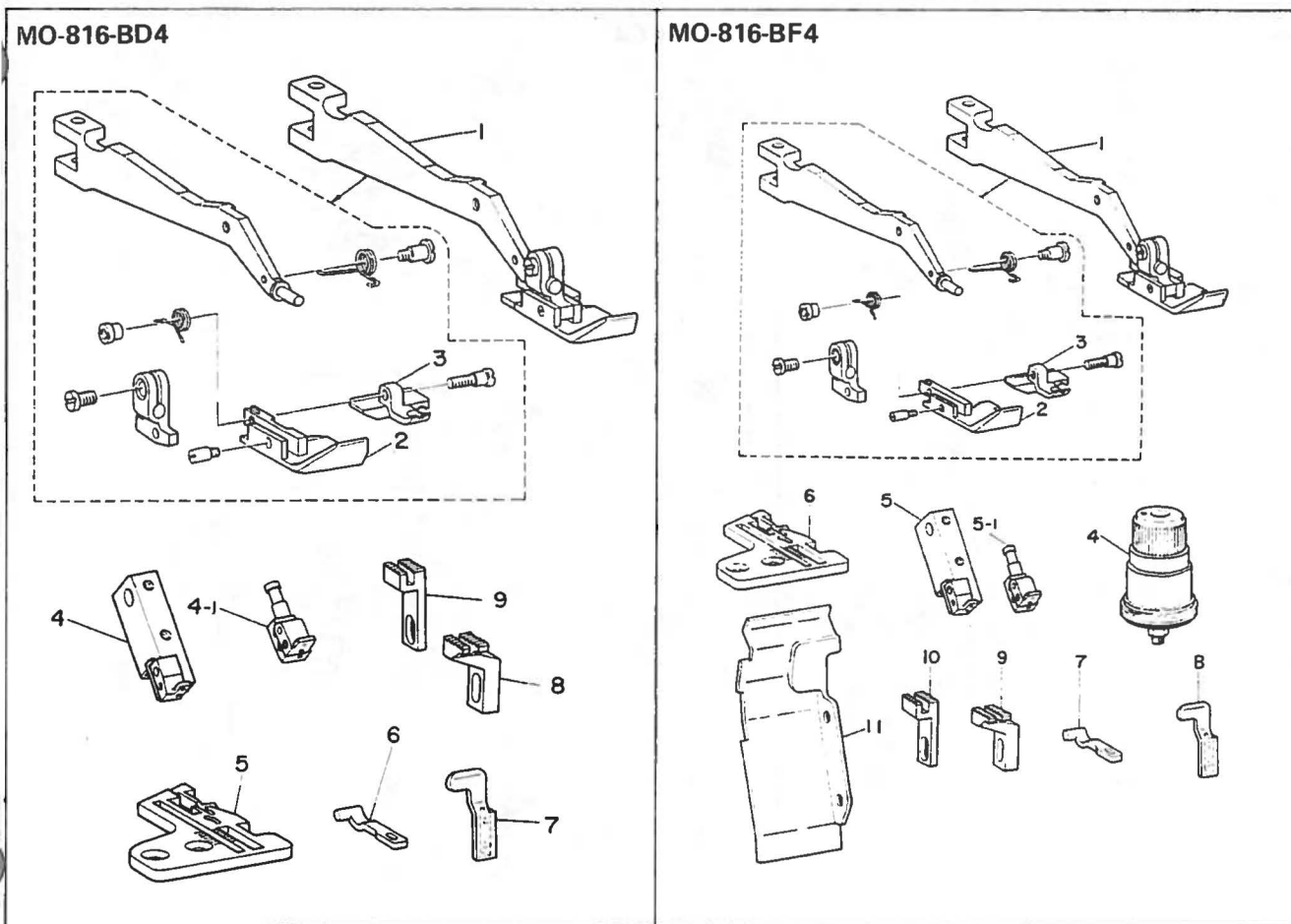
3. MO-816-AF4

Ref. No.	Note	Part No.	Description	E.C.	Armt. Req.
	注記	品番		変更年月	数量
1		B1507-816-AAE	Hinged presser foot asm. ....		1
2		B1507-816-A0E	Hinged presser foot .....		(1)
3		B1508-816-A0E	Presser foot, rear .....		(1)
4		B1530-816-D00	Auxiliary stopper .....		(1)
5		SS-6060340-SP	... Screw .....		(1)
6		B3101-704-0B0	Thread tension spring asm. ....		1
7		B1419-816-AAD	Needle clamp (with needle stopper) .....	D.6/74	-
7-1		B1420-716-A00	Chain stitch needle clamp .....	A.6/74	1
8		R4504-E0F-C00	Throat plate .....		1
9		B4120-816-D0B-A	Needle guard (E) .....		1
10		B4121-816-D0B	Needle guard (D) .....		1
11		B1656-816-B0F	Main feed dog .....		1
12		B1658-816-00B	Auxiliary feed dog .....		1
13		B1121-716-F0C	Chip guard cover .....		1

4. MO-816-BB4

1		B1507-816-8AA	Hinged presser foot asm. ....		1
2		B1507-816-B0A	Hinged presser foot .....		(1)
3		B1508-816-B0C	Presser foot, rear .....		(1)
4		B1419-816-BAB	Needle clamp (with needle stopper) .....	D.6/74	-
4-1		B1420-716-B00	Chain stitch needle clamp .....	A.6/74	1
5		R4505-E0B-C00	Throat plate .....		1
6		B4120-816-D0B-A	Needle guard (E) .....		1
7		B4121-816-D0B	Needle guard (D) .....		1
8		B1656-816-B0F	Main feed dog .....		1
9		B1658-816-00B	Auxiliary feed dog .....		1
10		B4118-804-000	Lower knife .....	A.11/74	1

\* All parts not mentioned above are same as those of Model MO-816-DD4. 上記以外の部品はMO-816-DD4と共通です。



5. MO-816-BD4

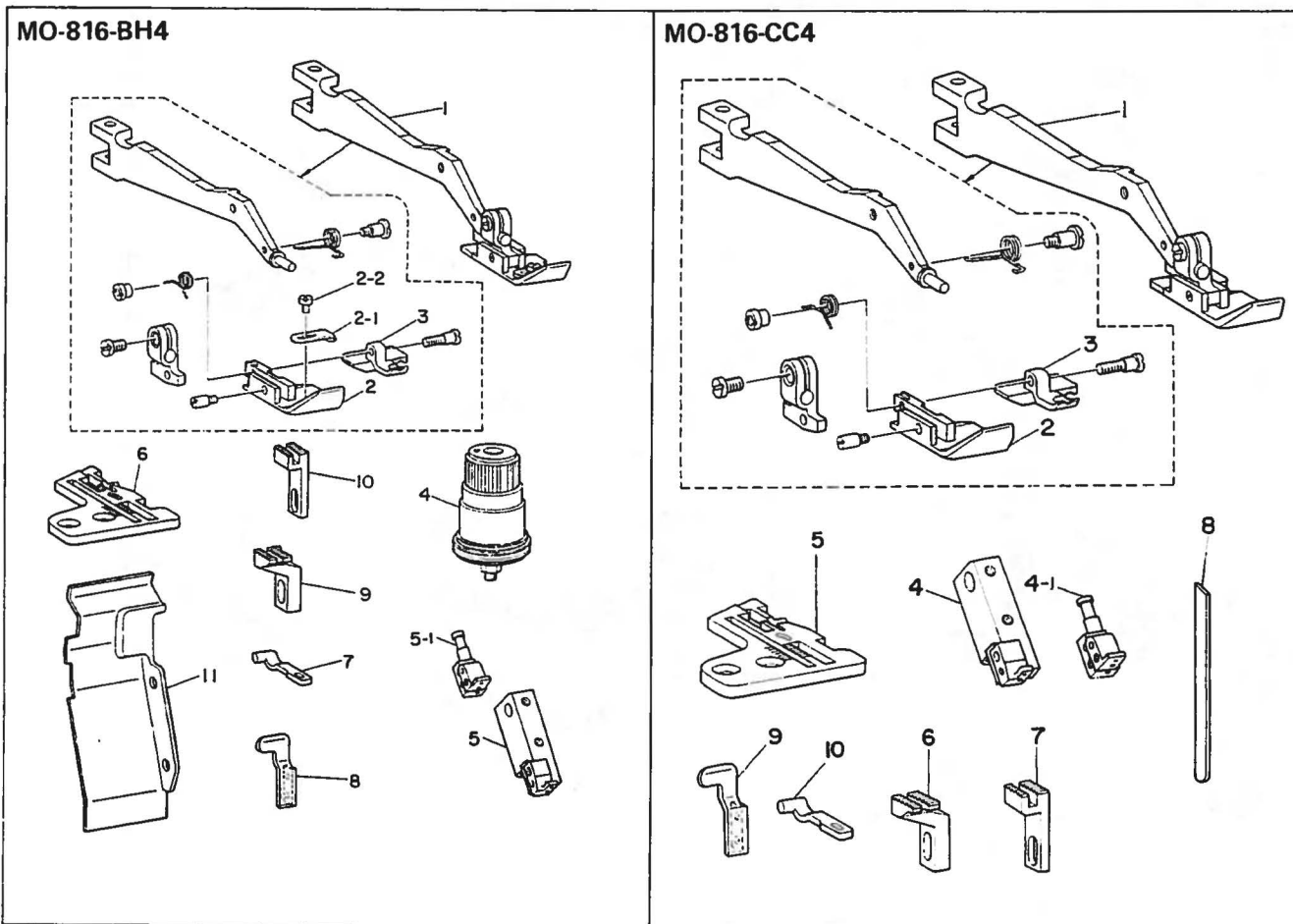
Ref. No.	Note	Part No.	Description	E.C.	Amt. Req.
	注記	品番		変更年月	数量
1		B1507-816-BAC	Hinged presser foot asm. ....		1
2		B1507-816-B0C	Hinged presser foot ....		(1)
3		B1508-816-B0C	Presser foot, rear ....		(1)
4		B1419-816-BAB	Needle clamp (with needle stopper) ....	D.6/74	—
4-1		B1420-716-B00	Chain stitch needle clamp ....	A.6/74	1
5		R4505-E0D-C00	Throat plate ....		1
6		B4120-816-D0B-A	Needle guard (E) ....		1
7		B4121-816-D0B	Needle guard (D) ....		1
8		B1656-816-B0F	Main feed dog ....		1
9		B1658-816-00B	Auxiliary feed dog ....		1

6. MO-816-BF4

1		B1507-816-BAD	Hinged presser foot asm. ....		1
2		B1507-816-B0D	Hinged presser foot ....		(1)
3		B1508-816-B0F	Presser foot, rear ....		(1)
4		B3101-704-0B0	Thread tension spring asm. ....		1
5		B1419-816-BAB	Needle clamp (with needle stopper) ....	D.6/74	—
5-1		B1420-716-B00	Chain stitch needle clamp ....	A.6/74	1
6		R4505-E0F-C00	Throat plate ....		1
7		B4120-816-D0B-A	Needle guard (E) ....		1
8		B4121-816-D0B	Needle guard (D) ....		1
9		B1656-816-B0F	Main feed dog ....		1
10		B1658-816-00B	Auxiliary feed dog ....		1
11		B1121-716-F0C	Chip guard cover ....		1

\* All parts not mentioned above are same as those of Model MO-B16-DD4. 上記以外の部品はMO-B16-DD4と共通です。





7. MO-816-BH4

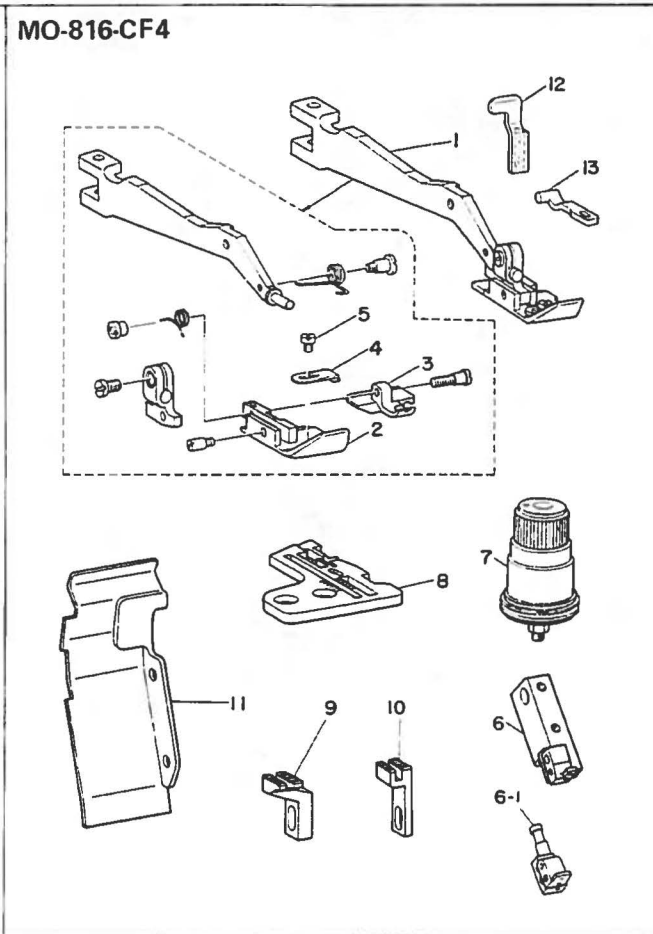
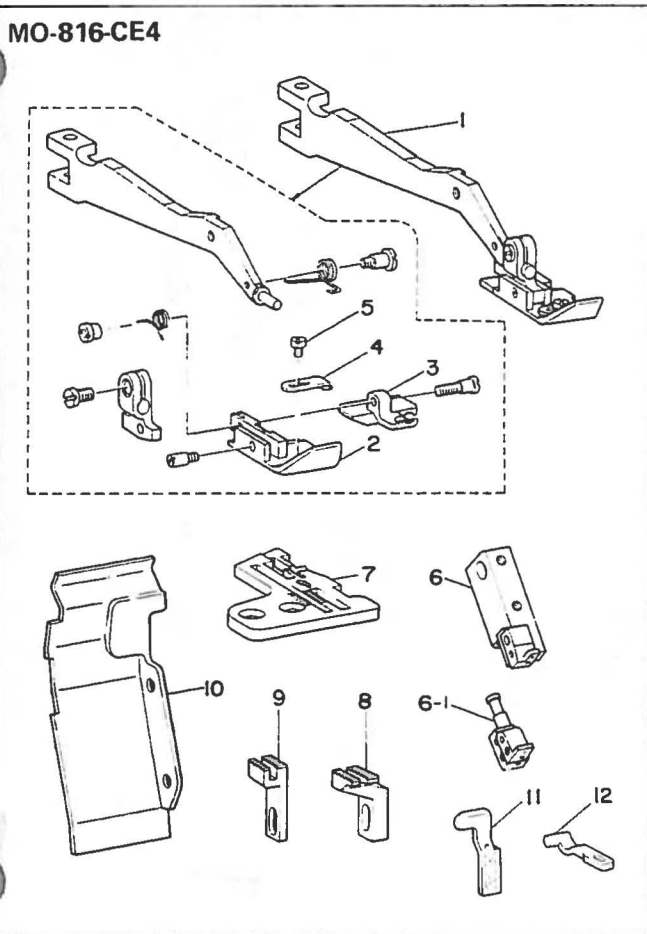
Ref. No.	Note	Part No.	Description	E.C.	品名	Amt. Req.
	注記	品番		変更年月		数量
1		B1507-816-BAD	Hinged presser foot asm. ....		自由押エ結合 .....	1
2		B1507-816-B0D	Hinged presser foot .....		自由押エ .....	(1)
2-1		B1530-816-D00	Auxiliary stopper .....		補助止メ板 .....	(1)
2-2		SS-6060340-SP	... Screw .....		補助止メ板止ネジ .....	(1)
3		B1508-816-B0F	Presser foot, rear .....		後押エ .....	(1)
4		B3101-704-0B0	Thread tension spring asm. ....		糸調子バネ結合(赤) .....	1
5		B1419-816-BAB	Needle clamp (with needle stopper) .....	D.6/74	針留 .....	—
5-1		B1420-716-B00	Chain stitch needle clamp .....	A.6/74	二重環針留 .....	1
6		R4505-E0H-C00	Throat plate .....		針板 .....	1
7		B4120-816-D0B-A	Needle guard (E) .....		針受(E) .....	1
8		B4121-816-D0B	Needle guard (D) .....		針受(D) .....	1
9		B1656-816-B0F	Main feed dog .....		主送り歯 .....	1
10		B1658-816-00B	Auxiliary feed dog .....		補助送り歯 .....	1
11		B1121-716-D0B	Chip guard cover .....		布クズカバー .....	1

8. MO-816-CC4

1		B1507-816-CAA	Hinged presser foot asm. ....		自由押エ結合 .....	1
2		B1507-816-C0A	Hinged presser foot .....		自由押エ .....	(1)
3		B1508-816-C0A	Presser foot, rear .....		後押エ .....	(1)
4		B1419-816-CAE	Needle clamp (with needle stopper) .....	D.6/74	針留 .....	—
4-1		B1420-716-C00	Chain stitch needle clamp .....	A.6/74	二重環針留 .....	1
5		R4506-E0C-C00	Throat plate .....		針板 .....	1
6		B1656-816-B0F	Main feed dog .....		主送り歯 .....	1
7		B1658-816-00B	Auxiliary feed dog .....		補助送り歯 .....	1
8		B4118-804-000	Lower knife .....	A.11/74	下メス .....	1
9		B4121-816-D0B	Needle guard (D) .....	A.2/75	針受 (D) .....	1
10		B4120-816-D0B-A	Needle guard (E) .....	A.2/75	針受 (E) .....	1

\* All parts not mentioned above are same as those of Model MO-816-DD4. 上記以外の部品はMO-816-DD4と共通です。





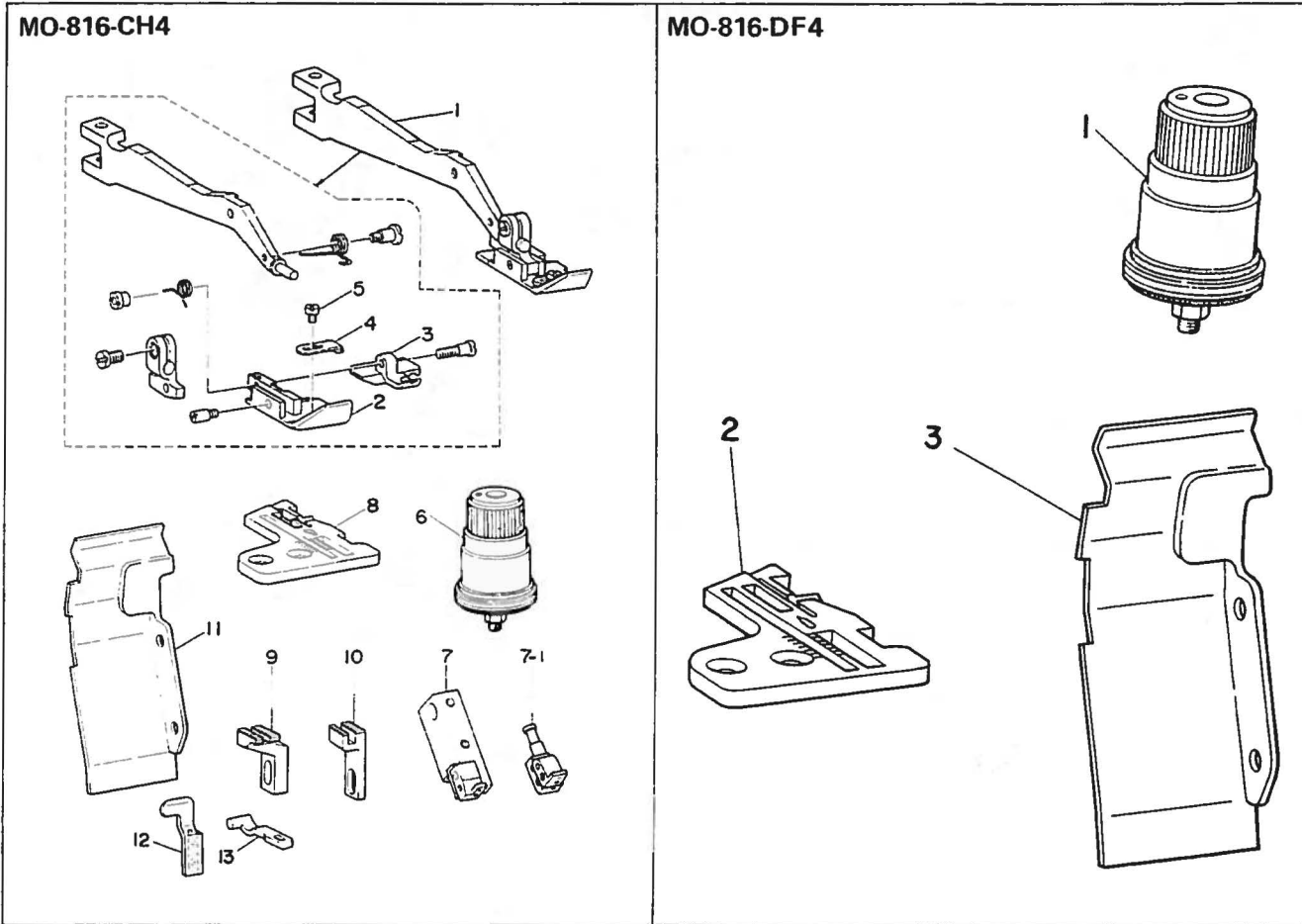
9. MO-816-CE4

Ref. No.	Note	Part No.	Description	E.C.	Amt. Req.
注記	品番			変更年月	数量
1		B1507-816-CAJ	Hinged presser foot asm. ....		1
2		B1507-816-COJ	Hinged presser foot .....		(1)
3		B1508-816-COF	Presser foot, rear .....		(1)
4		B1530-816-D00	Auxiliary stopper .....		(1)
5		SS-6060340-SP	... Screw .....		(1)
6		B1419-816-CAE	Needle clamp (with needle stopper) .....	D.6/74	—
6-1		B1420-716-C00	Chain stitch needle clamp .....	A.6/74	1
7		R4506-E0E-C00	Throat plate .....		1
8		B1656-816-B0F	Main feed dog .....		1
9		B1658-816-00B	Auxiliary feed dog .....		1
0		B1121-716-F0C	Chip guard cover .....		1
1		B4121-816-D0B	Needle guard (D).....	A.2/75	1
2		B4120-816-D0B-A	Needle guard (E).....	A.2/75	1

10. MO-816-CF4

1		B1507-816-CAJ	Hinged presser foot asm. ....		1
2		B1507-816-COJ	Hinged presser foot .....		(1)
3		B1508-816-COF	Presser foot, rear .....		(1)
4		B1530-816-D00	Auxiliary stopper .....		(1)
5		SS-6060340-SP	... Screw .....		(1)
6		B1419-816-CAE	Needle clamp (with needle stopper) .....	D.6/74	—
6-1		B1420-716-C00	Chain stitch needle clamp .....	A.6/74	1
7		B3101-704-0B0	Thread tension spring asm. ....		1
8		R4506-E0F-C00	Throat plate .....		1
9		B1656-816-B0F	Main feed dog .....		1
0		B1658-816-00B	Auxiliary feed dog .....		1
1		B1121-716-F0C	Chip guard cover .....		1
2		B4121-816-D0B	Needle guard (D).....	A.2/75	1
3		B4120-816-D0B-A	Needle guard (E).....	A.2/75	1

All parts not mentioned above are same as those of Model MO-816-DD4. 上記以外の部品はMO-816-DD4と共通です。



11. MO-816-CH4

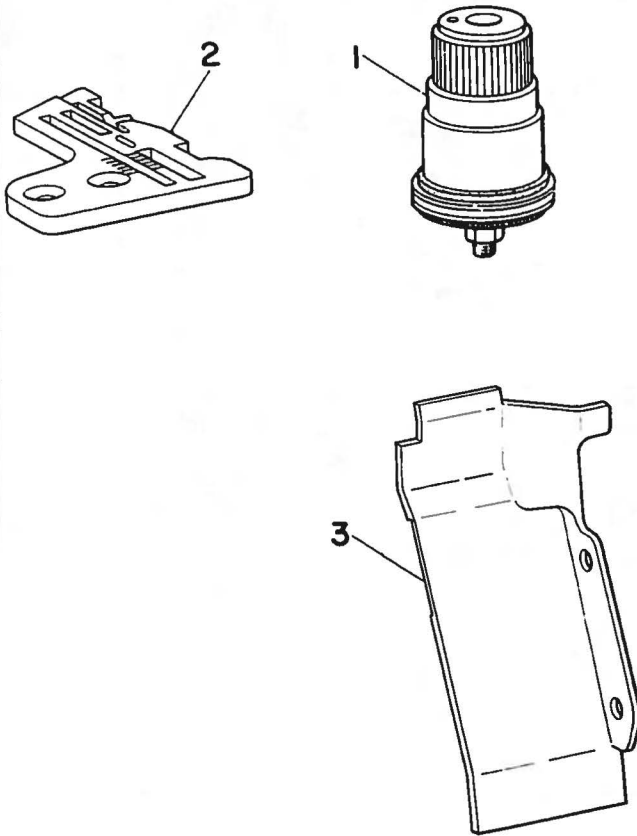
Ref. No.	Note	Part No.	Description	E.C.	Amt. Req.
	注記	品番		変更年月	数量
1		B1507-816-CAJ	Hinged presser foot asm. ....		1
2		B1507-816-C0J	Hinged presser foot ....		(1)
3		B1508-816-C0F	Presser foot, rear ....		(1)
4		B1530-816-D00	Auxiliary stopper ....		(1)
5		SS-6060340-SP	... Screw ....		(1)
6		B3101-704-000	Thread tension spring asm. ....		1
7		B1419-816-CAE	Needle clamp (with needle stopper) ....	D.6/74	—
7-1		B1420-716-C00	Chain stitch needle clamp ....	A.6/74	1
8		R4506-E0H-C00	Throat plate ....		1
9		B1656-816-B0F	Main feed dog ....		1
10		B1658-816-00B	Auxiliary feed dog ....		1
11		B1121-716-D0B	Chip guard cover ....		1
12		B4121-816-D0B	Needle guard (D).....	A.2/75	1
13		B4120-816-D0B-A	Needle guard (E).....	A.2/75	1

12. MO-816-DF4

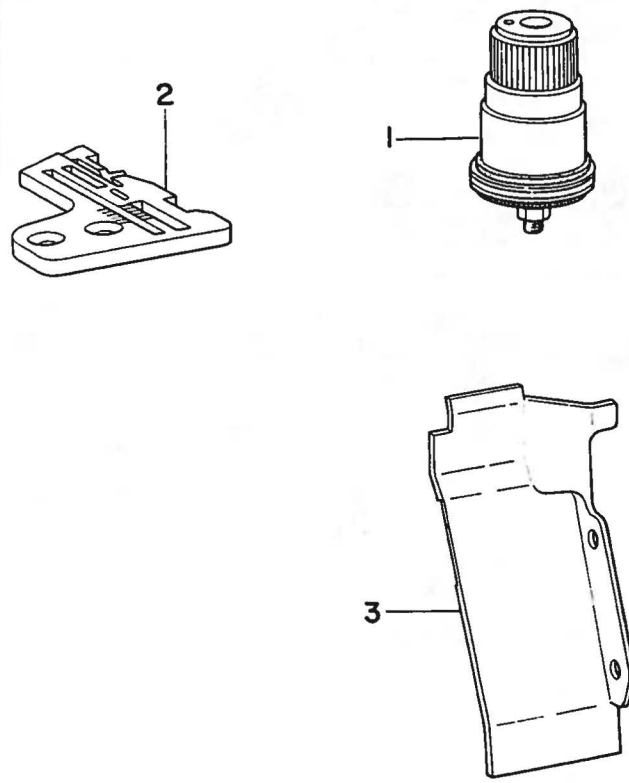
1		B3101-704-0B0	Thread tension spring asm. ....		1
2		R4508-E0F-C00	Throat plate ....		1
3		B1121-716-F0C	Chip guard cover ....		1

\* All parts not mentioned above are same as those of Model MO-816-DD4. 上記以外の部品はMO-816-DD4と共通です。

MO-816-DG4



MO-816-DH4



13. MO-816-DG4

Ref. No.	Note	Part No.	Description	E.C.		Amt. Req.
	注記	品番		変更年月	品名	数量
1		B3101-704-0B0	Thread tension spring asm. ....		糸調子バネ結合(赤) .....	1
2		R4508-E0G-C00	Throat plate .....		針板 .....	1
3		B1121-716-D0B	Chip guard cover .....		布クスカバー .....	1

14. MO-816-DH4

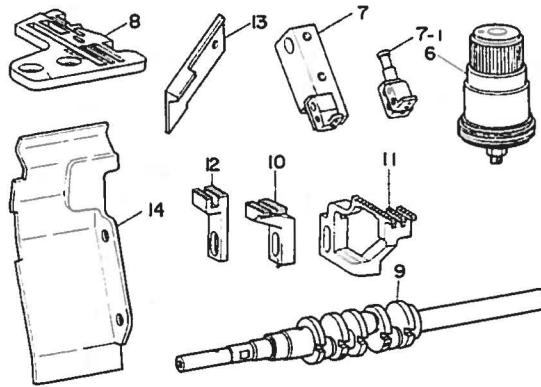
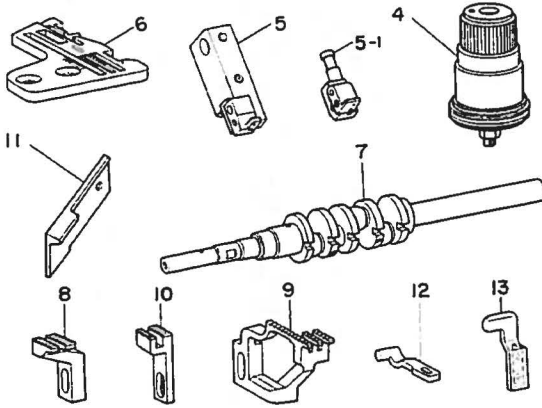
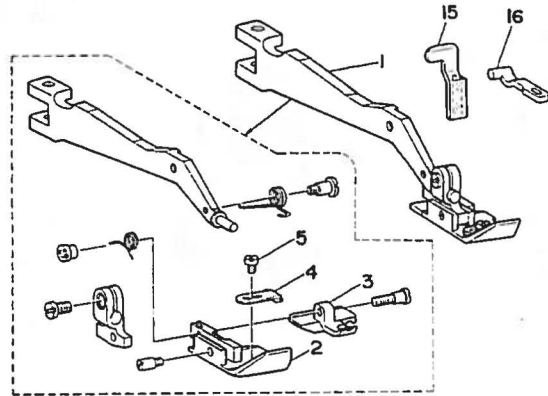
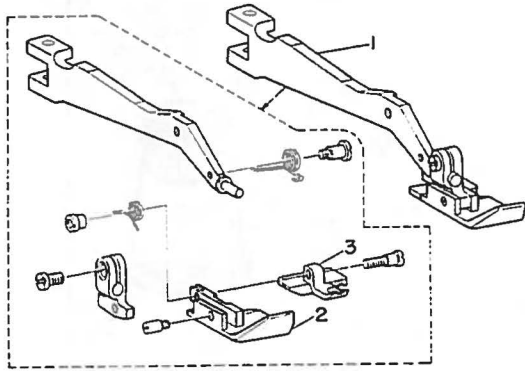
1		B3101-704-0B0	Thread tension spring asm. ....	A.8/74	糸調子バネ結合(赤) .....	1
2		R4508-E0H-C00	Throat plate .....		針板 .....	1
3		B1121-716-D0B	Chip guard cover .....		布クスカバー .....	1

\* All parts not mentioned above are same as those of Model MO-816-DD4. 上記以外の部品はMO-816-DD4と共通です。



MO-816-BD6

MO-816-CE6



15. MO-816-BD6

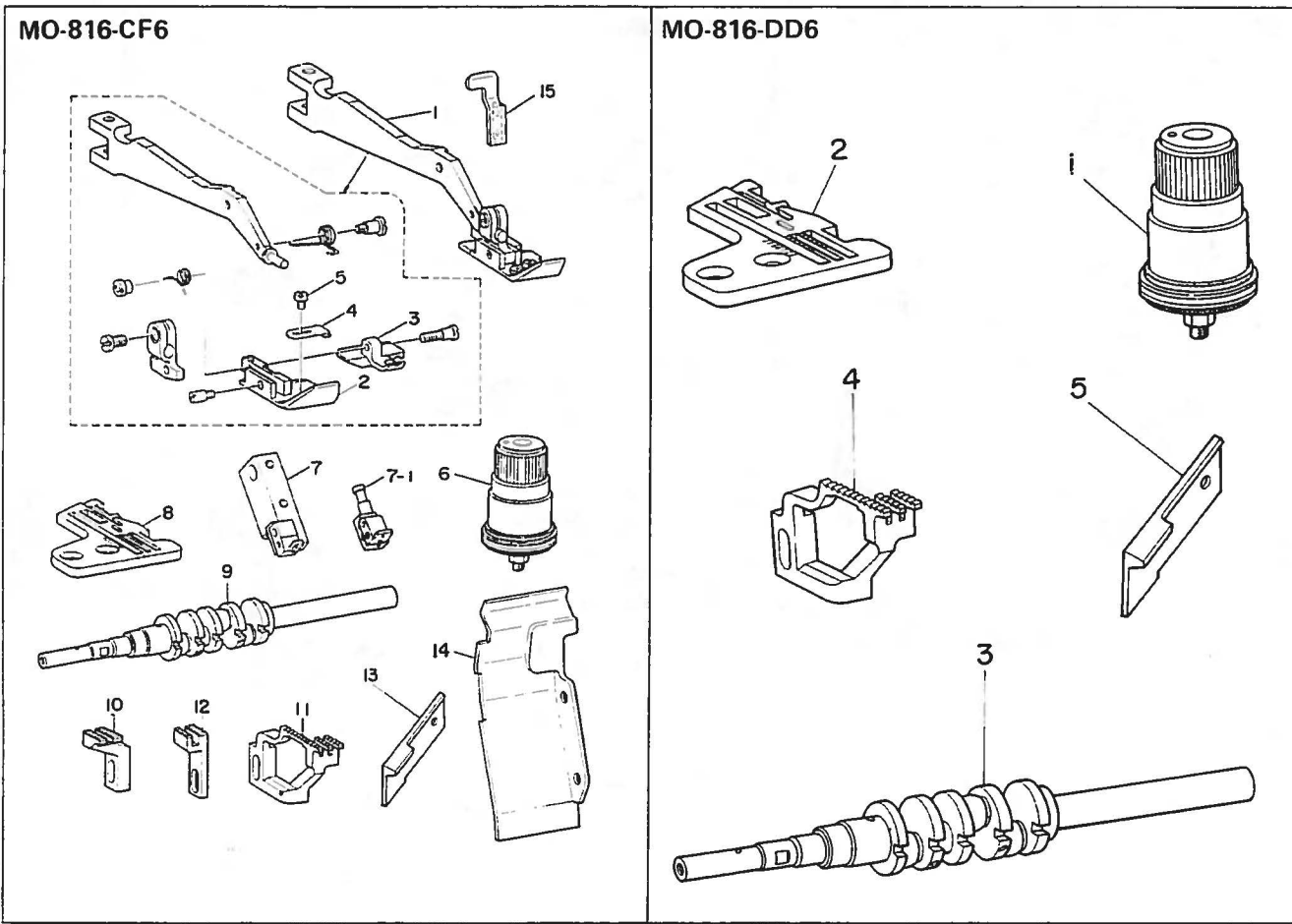
Ref. No.	Note	Part No.	Description	E.C.	Amt. Req.
1	注記	B1507-816-BAC	Hinged presser foot asm. ....		1
2		B1507-816-B0C	Hinged presser foot .....		(1)
3		B1508-816-B0C	Presser foot, rear .....		(1)
4		B3101-704-080	Thread tension spring asm. (red).....		1
5		B1419-816-BAB	Needle clamp (with needle stopper) .....	D.6/74	-
5-1		B1420-716-B00	Chain stitch needle clamp .....	A.6/74	1
6		R4605-E0D-F00	Throat plate .....		1
7		B1201-816-00B-A	Crankshaft (A) .....		1
8		B1656-816-B0F	Main feed dog .....		1
9		B1657-816-D0G	Differential feed dog .....		1
10		B1658-816-00B	Auxiliary feed dog .....		1
11		B4111-804-00A	Upper knife (A) .....		1
12		B4120-816-D0B-A	Needle guard (E) .....		1
13		B4121-816-D0B	Needle guard (D) .....		1

16. MO-816-CE6

1		B1507-816-CAJ	Hinged presser foot asm. ....		1
2		B1507-816-C0J	Hinged presser foot .....		(1)
3		B1508-816-C0F	Presser foot, rear .....		(1)
4		B1530-816-D00	Auxiliary stopper .....		(1)
5		SS-6060340-SP	... Screw .....		(1)
6		B3101-704-080	Thread tension spring asm. (red) .....		1
7		B1419-816-CAE	Needle clamp (with needle stopper) .....	D.6/74	-
7-1		B1420-716-C00	Chain stitch needle clamp .....	A.6/74	1
8		R4606-E0E-F00	Throat plate .....		1
9		B1201-816-00B-A	Crankshaft (B) .....		1
10		B1656-816-B0F	Main feed dog .....		1
11		B1657-816-D0G	Differential feed dog .....		1
12		B1658-816-00B	Auxiliary feed dog .....		1
13		B4111-804-00A	Upper knife (A) .....		1
14		B1121-716-F0C	Chip guard cover .....		1
15		B4121-816-D0B	Needle guard (D) .....	A.2/75	1
16		B4120-816-D0B-A	Needle guard (E) .....	A.2/75	1

\* All parts not mentioned above are same as those of Model MO-816-DD4. 上記以外の部品はMO-816-DD4と共通です。





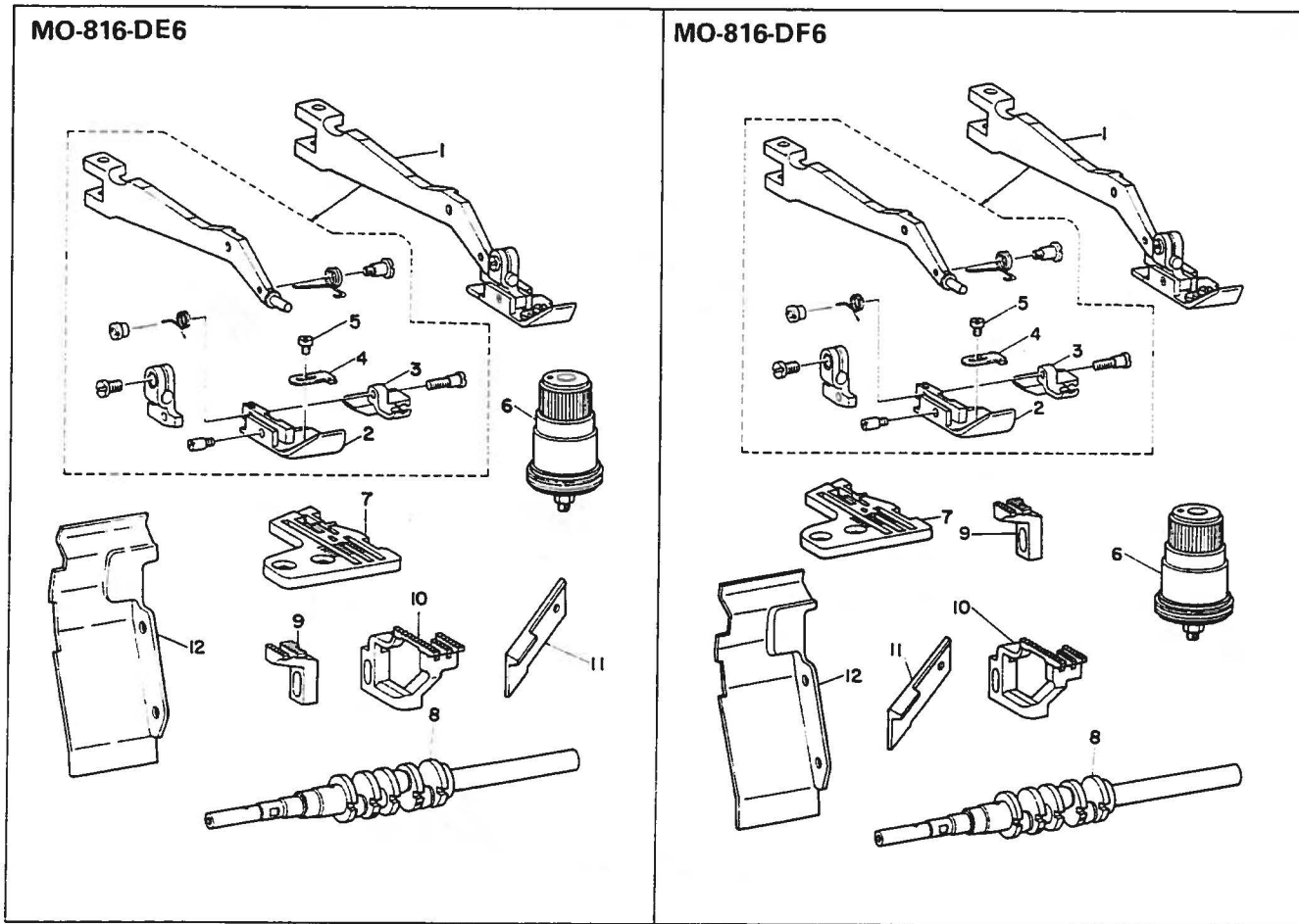
17. MO-816-CF6

Ref. No.	Note	Part No.	Description	E.C.	Amt. Req.
	注記	品番		変更年月	数量
1		B1507-816-CAJ	Hinged presser foot asm. ....		1
2		B1507-816-COJ	Hinged presser foot .....		(1)
3		B1508-816-C0F	Presser foot, rear .....		(1)
4		B1530-816-D00	Auxiliary stopper .....		(1)
5		SS-6060340-SP	... Screw .....		(1)
6		B3101-704-0B0	Thread tension spring asm. (red) .....		1
7		B1419-816-CAE	Needle clamp (with needle stopper) .....	D.6/74	—
7-1		B1420-716-C00	Chain needle clamp .....	A.6/74	1
8		R4606-E0F-F00	Throat plate .....		1
9		B1201-816-00B-A	Crankshaft .....		1
10		B1656-816-B0F	Main feed dog .....		1
11		B1657-816-DOG	Differential feed dog .....		1
12		B1658-816-008	Auxiliary feed dog .....		1
13		B4111-804-00A	Upper knife (A) .....		1
14		B1121-716-F0C	Chip guard cover .....		1
15		B4121-816-D0B	Needle guard (D) .....	A.2/75	1
16		B4120-816-D0B-A	Needle guard (E) .....	A.2/75	1

18. MO-816-DD6

1		B3101-704-0B0	Thread tension spring asm. ....		1
2		R4608-E0D-F00	Throat plate .....		1
3		B1201-816-00B-A	Crankshaft (B) .....		1
4		B1657-816-DOG	Differential feed dog .....		1
5		B4111-804-00A	Upper knife (A) .....		1

\* All parts not mentioned above are same as those of Model MO-816-DD4. 上記以外の部品はMO-816-DD4と共通です。



19. MO-816-DE6

Ref. No.	Note	Part No.	Description	E.C.	Amt. Req.
	注記	品番		変更年月	数量
1		B1507-816-DAB	Hinged presser foot asm. ....	自由押工結合 .....	1
2		B1507-816-D0B	Hinged presser foot .....	自由押工 .....	(1)
3		B1508-816-D0B	Presser foot, rear .....	後押工 .....	(1)
4		B1530-816-D00	Auxiliary stopper .....	補助止メ板 .....	(1)
5		SS-6060340-SP	. . . Screw .....	補助止メ板止ネジ .....	(1)
6		B3101-704-0B0	Thread tension spring asm. ....	糸調子バネ結合(赤) .....	1
7		R4608-E0E-G00	Throat plate .....	針板 .....	1
8		81201-816-00B-A	Crankshaft (B) .....	主軸(B) .....	1
9		B1656-816-D0J	Main feed dog .....	主送り歯 .....	1
10		B1657-816-F0K	Differential feed dog .....	副送り歯 .....	1
11		B4111-804-00A	Upper knife (A) .....	上メス(A) .....	1
12		B1121-716-F0C	Chip guard cover .....	布クスカバー .....	1

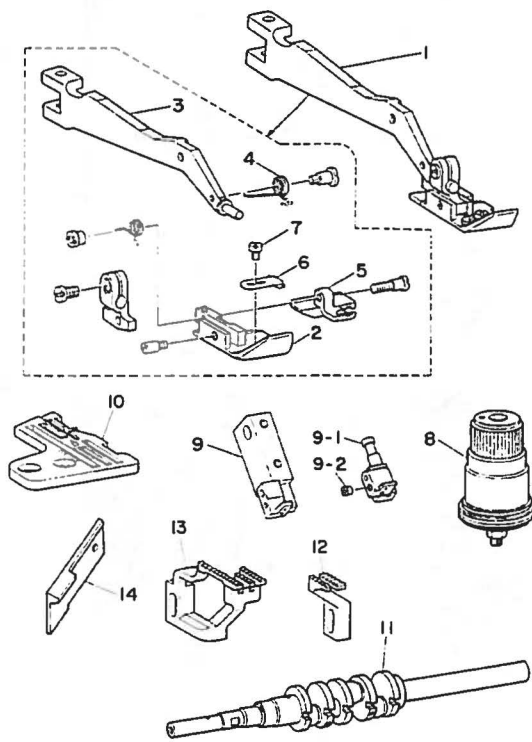
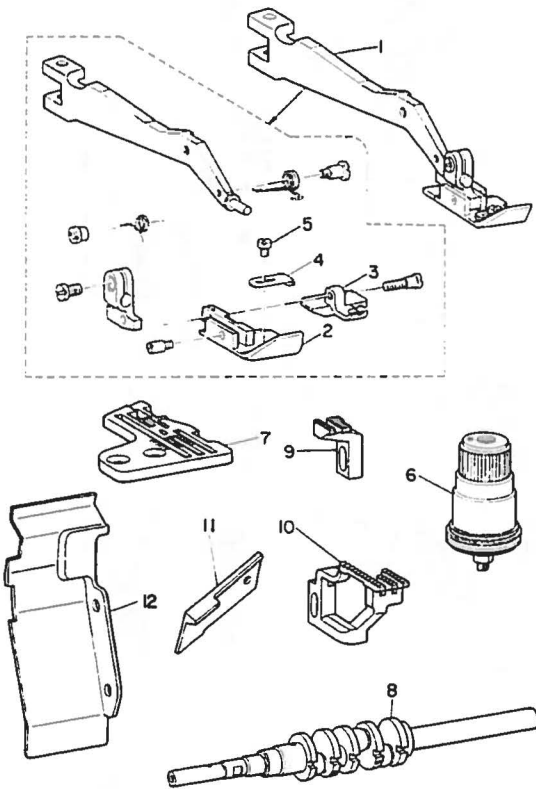
20. MO-816-DF6

1		B1507-816-DAB	Hinged presser foot asm. ....	自由押工結合 .....	1
2		B1507-816-D0B	Hinged presser foot .....	自由押工 .....	(1)
3		B1508-816-D0B	Presser foot, rear .....	後押工 .....	(1)
4		B1530-816-D00	Auxiliary stopper .....	補助止メ板 .....	(1)
5		SS-6060340-SP	. . . Screw .....	補助止メ板止ネジ .....	(1)
6		B3101-704-0B0	Thread tension spring asm. (red) .....	糸調子バネ結合(赤) .....	1
7		R4608-E0F-G00	Throat plate .....	針板 .....	1
8		81201-816-00B-A	Crankshaft .....	主軸(B) .....	1
9		B1656-816-D0J	Main feed dog .....	主送り歯 .....	1
10		B1657-816-F0K	Differential feed dog .....	副送り歯 .....	1
11		B4111-804-00A	Upper knife (A) .....	上メス(A) .....	1
12		B1121-716-F0C	Chip guard cover .....	布クスカバー .....	1

\* All parts not mentioned above are same as those of Model MO-816-DD4. 上記以外の部品はMO-816-DD4と共通です。

MO-816-DH6

MO-816-FD6



21. MO-816-DH6

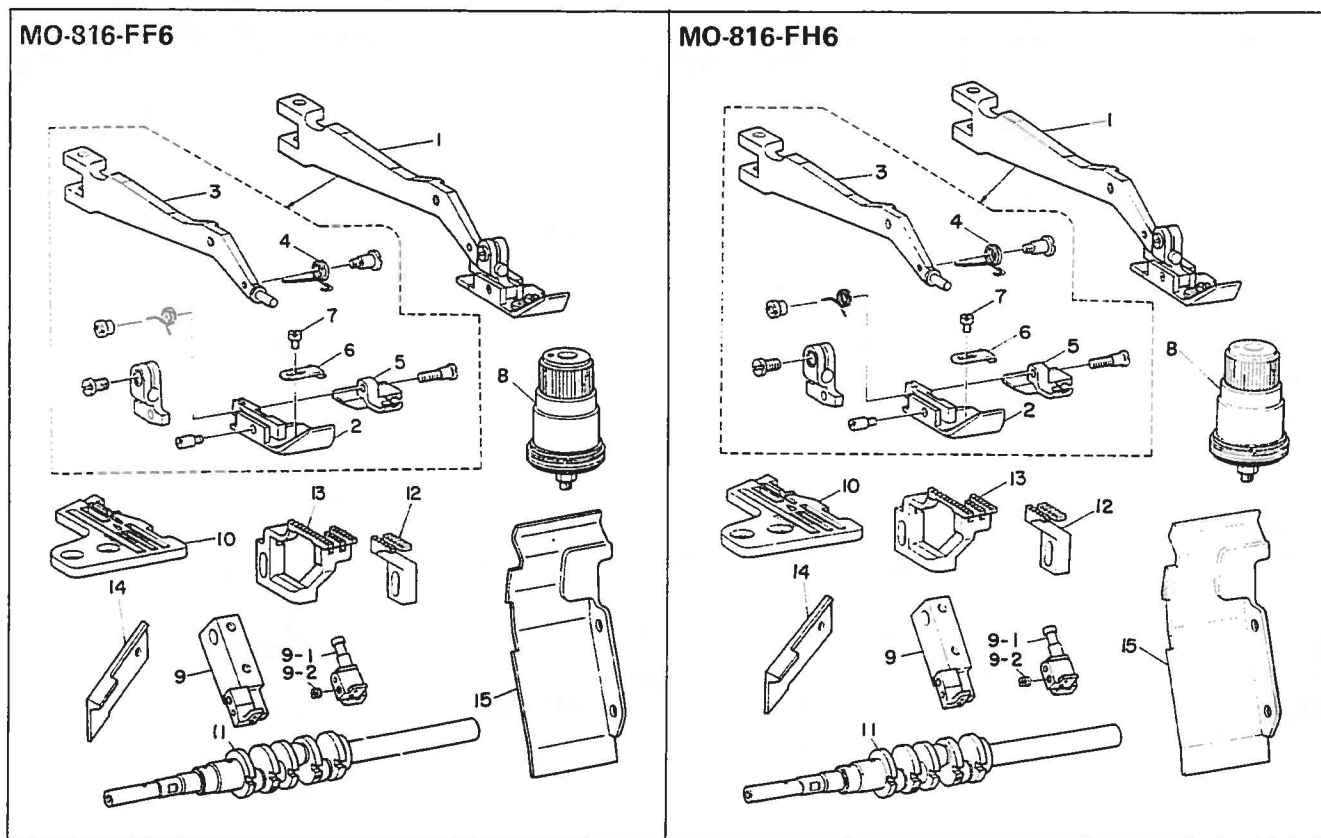
Ref. No.	Note	Part No.	Description	E.C.	Amt. Req.
	注記	品番		変更年月	数量
1		B1507-816-DAB	Hinged presser foot asm. ....		1
2		B1507-816-D0B	Hinged presser foot .....		(1)
3		B1508-816-D0B	Presser foot, rear .....		(1)
4		81530-816-D00	Auxiliary stopper .....		(1)
5		SS-6060340-SP	... Screw .....		(1)
6		B3101-704-0B0	Thread tension spring asm. (red) .....		1
7		R4608-E0H-G00-A	Throat plate .....		1
8		B1201-816-00B-A	Crankshaft .....		1
9		B1656-816-D0J	Main feed dog .....		1
10		B1657-816-F0K	Differential feed dog .....		1
11		B4111-804-00A	Upper knife (A) .....		1
12		B1121-716-D0B	Chip guard cover .....		1

22. MO-816-FD6

1		B1507-816-FAD	Hinged presser foot asm. ....		1
2		B1507-816-F0D	Hinged presser foot .....		(1)
3		81506-816-F0B	Hinged presser foot arm .....		(1)
4		B1515-816-00B	Presser foot arm spring (B) .....		(1)
5		B1508-816-F0D	Presser foot, rear .....		(1)
6		B1530-816-D00	Auxiliary stopper .....		(1)
7		SS-6060340-SP	... Screw .....		(1)
8		B3101-704-0B0	Thread tension spring asm. (red) .....		1
9		B1419-816-FAC	Needle clamp (with needle stopper) .....	D.6/74	-
9-1		B1420-716-F00	Chain stitch needle clamp .....	A.6/74	1
9-2		SS-8080310-TP	Needle screw .....	A.10/75	1
10		R4612-E0D-G00	Throat plate .....		1
11		B1201-816-00B-A	Crankshaft (B) .....		1
12		B1656-816-F0H	Main feed dog .....		1
13		81657-816-F0K	Differential feed dog .....		1
14		B4111-804-00A	Upper knife (A) .....		1

\* All parts not mentioned above are same as those of type MO-816-DD6. 上記の部品はMO-816-DD6に共通です。





23. MO-816-FF6

Ref. No.	Note	Part No.	Description	E.C.	品名	Armt. Req.
	注記	品番		変更年月		数量
1		B1507-816-FAD	Hinged presser foot asm. ....		自由押工結合 .....	1
2		B1507-816-FOD	Hinged presser foot .....		自由押工 .....	(1)
3		B1506-816-FOB	Hinged presser foot arm .....		押工腕 .....	(1)
4		B1515-816-00B	Presser foot set spring (B) .....		押工腕バネ(B) .....	(1)
5		B1508-816-FOD	Presser foot, rear .....		後押工 .....	(1)
6		B1530-816-D00	Auxiliary stopper .....		補助止メ板 .....	(1)
7		SS-6060340-SP	... Screw .....		補助止メ板止ネジ .....	(1)
8		B3101-704-0B0	Thread tension spring asm. (red) .....		糸調子バネ結合(赤) .....	1
9		B1419-816-FAC	Needle clamp (with needle stopper) .....	D.6/74	針留 .....	-
9-1		B1420-716-F00	Chain stitch needle clamp .....	A.6/74	二重環針留 .....	1
9-2	*	SS-8080310-TP	Needle screw .....	A.10/75	針止ネジ .....	1
10		R4612-E0F-G00-A	Throat plate .....		針板 .....	1
11		B1201-816-00B-A	Crankshaft (B) .....		主軸(B) .....	1
12		B1656-816-F0H	Main feed dog .....		主送り歯 .....	1
13		B1657-816-F0K	Differential feed dog .....		副送り歯 .....	1
14		B4111-804-00A	Upper knife (A) .....		上メス(A) .....	1
15		B1121-716-F0C	Chip guard cover .....		布クスカバー .....	1

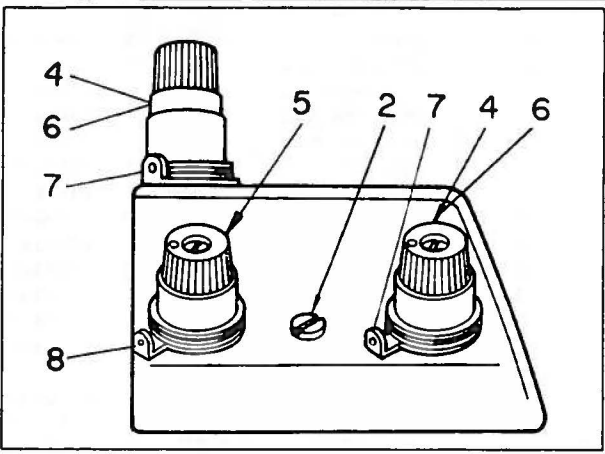
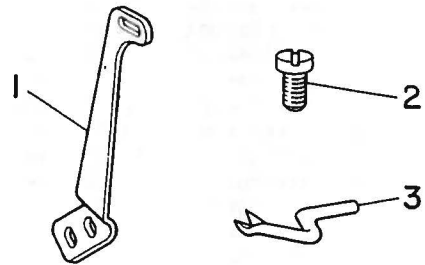
24. MO-816-FH6

1		B1507-816-FAD	Hinged presser foot asm. ....		自由押工結合 .....	1
2		B1507-816-FOD	Hinged presser foot .....		自由押工 .....	(1)
3		B1506-816-FOB	Hinged presser foot arm .....		押工腕 .....	(1)
4		B1515-816-00B	Presser foot set spring (B) .....		押工腕バネ(B) .....	(1)
5		B1508-816-FOD	Presser foot, rear .....		後押工 .....	(1)
6		B1530-816-D00	Auxiliary stopper .....		補助止メ板 .....	(1)
7		SS-6060340-SP	... Screw .....		補助止メ板止ネジ .....	(1)
8		B3101-704-0B0	Thread tension spring asm. (red) .....		糸調子バネ結合(赤) .....	1
9		B-1419-816-FAC	Needle clamp (with needle stopper) .....	D.6/74	針留 .....	-
9-1		B1420-716-F00	Chain stitch needle clamp .....	A.6/74	二重環針留 .....	1
9-2	*	SS-8080310-TP	Needle screw .....	A.10/75	針止ネジ .....	1
10		R4612-E0H-G00	Throat plate .....		針板 .....	1
11		B1201-816-00B-A	Crankshaft (B) .....		主軸(B) .....	1
12		B1656-816-F0H	Main feed dog .....		主送り歯 .....	1
13		B1657-816-F0K	Differential feed dog .....		副送り歯 .....	1
14		B4111-804-00A	Upper knife (A) .....		上メス(A) .....	1
15		B1121-716-D0B	Chip guard cover .....		布クスカバー .....	1

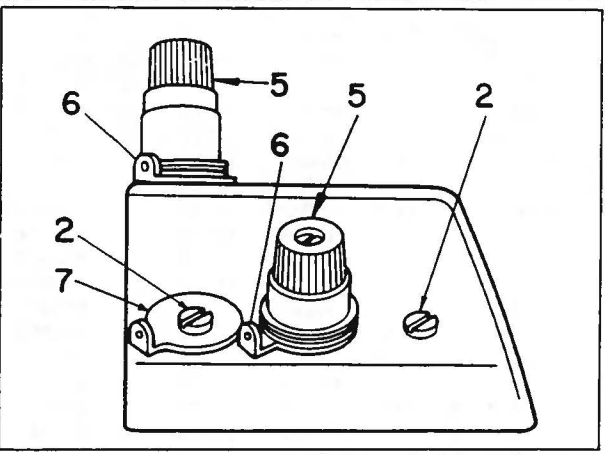
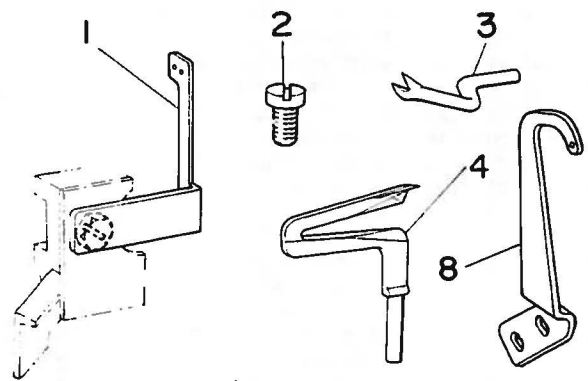
\* All parts not mentioned above are same as those of Model MO-816-DD4. 上記以外の部品はMO-816-DD4と共通です



MO-815



MO-840



25. MO-815

Ref. No.	Note	Part No.	Description	E.C.	Amt. Req.
	注記	品番		変更年月	数量
1		B1428-803-000	Needle thread take-up lever .....	針糸天秤 .....	1
2		SS-7110710-SL	Screw .....	糸調子棒穴蓋止ネジ .....	1
3		B2514-803-000	Upper blind looper .....	上カギルーバー .....	1
4		B3102-704-080	Thread tension spring asm. (yellow) .....	糸調子バネ結合(黄) .....	2
5		B3103-704-080	Thread tension spring asm. (blue) .....	糸調子バネ結合(青) .....	1
6	◇01	B3101-704-080	Thread tension spring asm. (red) .....	糸調子バネ結合(赤) .....	2
7		B3108-704-000	Thread tension spring asm. (blue) .....	調子皿糸案内 .....	2
8		B3102-816-000	Tension disc thread guide .....	二重環針糸案内 .....	1

\* All other parts are same as gauge sizes of standard subclass machines of MO-816. この他は同じゲージサイズのMO-816標準サブクラスマシンと同じ  
 For example: For MO-815-AF4 refer to MO-816-AF4 (例)MO-815-AF4はMO-816-AF4参照  
 MO-815-BD4 refer to MO-816-BD4 MO-815-BD4はMO-816-BD4参照  
 For all others refer to above examples 其の上記に準じて参照のこと

26. MO-840

1		B1435-801-000	Needle thread take-up lever .....	針糸天秤 .....	1
2		SS-7110710-SL	Screw .....	糸調子棒穴蓋ネジ .....	2
3		B2514-803-000	Upper blind looper .....	上カギルーバー .....	1
4		B2521-801-000	Lower blind looper .....	下カギルーバー .....	1
5		B3102-704-080	Thread tension spring asm. (yellow) .....	糸調子バネ結合(黄) .....	2
6		B3108-704-000	Tension disc thread guide .....	調子皿糸案内 .....	2
7		B3102-816-000	Chain looper needle thread guide .....	二重環針糸案内 .....	1
8	◇	B1428-801-000	Needle thread take-up lever .....	A.10/76 針糸天秤 .....	1

\* All parts not mentioned above are same as those of Model MO-816-DD4. 上記以外の部品はMO-816-DD4と共通です  
 Note 注記 ◇01 ..... For heavy weight materials. 厚物用です。

27. NUMERICAL INDEX OF PARTS

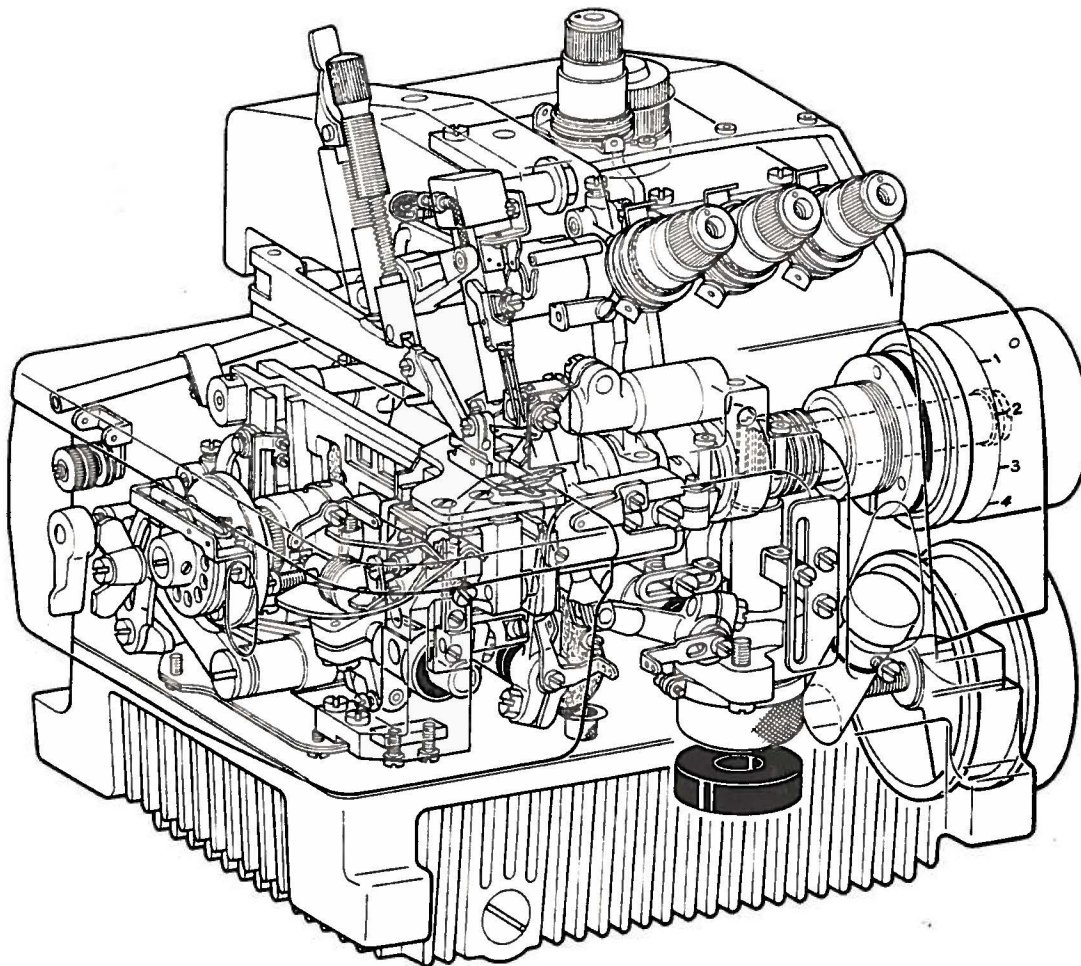
索引

Part No. 品番	Page 頁	Item Ref. 項目 No.	Part No. 品番	Page 頁	Item Ref. 項目 No.	Part No. 品番	Page 頁	Item Ref. 項目 No.	Part No. 品番	Page 頁	Item Ref. 項目 No.				
EXCLUSIVE PARTS 専用部品			B1507-816-A0E	2	3	2	B1656-816-B0F	1	2	8	B3108-704-000	13	26	6	
B1121-716-F0C	12	23	15	B1507-816-BAA	2	4	1	B1656-816-B0F	2	3	11	B4111-804-00A	8	15	11
B1121-716-D0B	4	7	11	B1507-816-BAC	3	5	1	B1656-816-B0F	2	4	8	B4111-804-00A	8	16	13
B1121-716-D0B	6	11	11	B1507-816-BAC	8	15	1	B1656-816-B0F	3	5	8	B4111-804-00A	9	17	13
B1121-716-D0B	7	13	3	B1507-816-BAD	3	6	1	B1656-816-B0F	3	6	9	B4111-804-00A	9	18	5
B1121-716-D0B	7	14	3	B1507-816-BAD	4	7	1	B1656-816-B0F	4	7	9	B4111-804-00A	10	19	11
B1121-716-D0B	11	21	12	B1507-816-B0A	2	4	2	B1656-816-B0F	4	8	6	B4111-804-00A	10	20	11
B1121-716-D0B	12	24	15	B1507-816-B0C	3	5	2	B1656-816-B0F	5	9	8	B4111-804-00A	11	21	11
B1121-716-F0C	2	3	13	B1507-816-B0C	8	15	2	B1656-816-B0F	5	10	9	B4111-804-00A	11	22	14
B1121-716-F0C	3	6	11	B1507-816-B0C	3	6	2	B1656-816-B0F	6	11	9	B4111-804-00A	12	23	14
B1121-716-F0C	5	9	10	B1507-816-B0D	4	7	2	B1656-816-B0F	8	15	8	B4111-804-00A	2	24	14
B1121-716-F0C	5	10	11	B1507-816-CAA	4	8	1	B1656-816-B0F	8	16	10	B4118-804-000	1	1	10
B1121-716-F0C	6	12	3	B1507-816-CAJ	5	9	1	B1656-816-B0F	9	17	10	B4118-804-000	2	4	10
B1121-716-F0C	8	16	14	B1507-816-CAJ	5	10	1	B1656-816-DOJ	10	19	9	B4118-804-000	4	8	8
B1121-716-F0C	9	17	14	B1507-816-CAJ	6	11	1	B1656-816-DOJ	10	20	9	B4120-816-DOB-A	1	1	6
B1121-716-F0C	10	19	12	B1507-816-CAJ	8	16	1	B1656-816-DOJ	11	21	9	B4120-816-DOB-A	1	2	6
B1121-716-F0C	10	20	12	B1507-816-CAJ	9	17	1	B1656-816-FOH	11	22	12	B4120-816-DOB-A	2	3	9
B1201-816-00B-A	8	15	7	B1507-816-C0A	4	8	2	B1656-816-FOH	12	23	12	B4120-816-DOB-A	2	4	6
B1201-816-00B-A	8	16	9	B1507-816-C0J	5	9	2	B1656-816-FOH	12	24	12	B4120-816-DOB-A	3	5	6
B1201-816-00B-A	9	18	3	B1507-816-C0J	5	10	2	B1657-816-D0G	8	15	9	B4120-816-DOB-A	3	6	7
B1201-816-00B-A	10	19	8	B1507-816-C0J	6	11	2	B1657-816-D0G	8	16	11	B4120-816-DOB-A	4	7	7
B1201-816-00B-A	10	20	8	B1507-816-C0J	8	16	2	B1657-816-D0G	9	17	11	B4120-816-DOB-A	8	15	12
B1201-816-00B-A	11	21	8	B1507-816-C0J	9	17	2	B1657-816-D0G	9	18	4	B4120-816-DOB-A	4	8	10
B1201-816-00B-A	11	22	11	B1507-816-DAB	10	19	1	B1657-816-F0K	10	19	10	B4120-816-DOB-A	5	9	12
B1201-816-00B-A	12	23	11	B1507-816-DAB	11	21	1	B1657-816-F0K	10	20	10	B4120-816-DOB-A	5	10	13
B1201-816-00B-A	12	24	11	B1507-816-DAB	10	20	1	B1657-816-F0K	11	21	10	B4120-816-DOB-A	6	11	13
B1201-816-00B-A	9	17	9	B1507-816-D0B	10	19	2	B1657-816-F0K	11	22	13	B4120-816-DOB-A	8	16	16
B1419-816-AAD	1	1	4	B1507-816-D0B	10	20	2	B1657-816-F0K	12	23	13	B4120-816-DOB-A	9	17	16
B1419-816-AAD	1	2	4	B1507-816-D0B	11	21	2	B1657-816-F0K	12	24	13	B4121-816-DOB	1	1	7
B1419-816-AAD	2	3	7	B1507-816-FAD	11	22	1	B1658-816-00B	1	1	9	B4121-816-DOB	1	2	7
B1419-816-8AB	2	4	4	B1507-816-FAD	12	23	1	B1658-816-00B	1	2	9	B4121-816-DOB	2	3	10
B1419-816-BAB	3	5	4	B1507-816-FAD	12	24	1	B1658-816-00B	2	3	12	B4121-816-DOB	2	4	7
B1419-816-BAB	3	6	5	B1507-816-F0D	11	22	2	B1658-816-00B	2	4	9	B4121-816-DOB	3	5	7
B1419-816-BAB	4	7	5	B1507-816-F0D	12	23	2	B1658-816-00B	3	5	9	B4121-816-DOB	3	6	8
B1419-816-BAB	8	15	5	B1507-816-F0D	12	24	2	B1658-816-00B	3	6	10	B4121-816-DOB	4	7	8
B1419-816-CAE	4	8	4	B1508-816-A0E	1	1	3	B1658-816-00B	4	7	10	B4121-816-DOB	4	8	9
B1419-816-CAE	5	9	6	B1508-816-A0E	1	2	3	B1658-816-00B	4	8	7	B4121-816-DOB	5	9	11
B1419-816-CAE	5	10	6	B1508-816-A0E	2	3	3	B1658-816-00B	5	9	9	B4121-816-DOB	5	10	12
B1419-816-CAE	6	11	7	B1508-816-B0C	2	4	3	B1658-816-00B	5	10	10	B4121-816-DOB	6	11	12
B1419-816-CAE	8	16	7	B1508-816-B0C	3	5	3	B1658-816-00B	6	11	10	B4121-816-DOB	8	16	15
B1419-816-CAE	9	17	7	B1508-816-B0C	8	15	3	B1658-816-00B	8	15	10	B4121-816-DOB	9	17	15
B1419-816-FAC	11	22	9	B1508-816-B0F	3	6	3	B1658-816-00B	8	16	12	B4121-816-DOB	8	15	13
B1419-816-FAC	12	24	9	B1508-816-B0F	4	7	3	B1658-816-00B	9	17	12	R4504-E0B-C00	1	1	5
B1419-816-FAC	12	23	9	B1508-816-C0A	4	8	3	B2521-801-000	13	26	4	R4504-E0D-C00	1	2	5
B1420-716-A00	1	1	4-1	B1508-816-C0F	5	10	3	B2514-803-000	13	25	3	R4504-E0F-C00	2	3	8
B1420-716-A00	1	2	4-1	B1508-816-C0F	9	17	3	B2514-803-000	13	26	3	R4505-E0B-C00	2	4	5
B1420-716-A00	2	3	7-1	B1508-816-C0F	5	9	3	B3101-704-0B0	2	3	6	R4505-E0D-C00	3	5	5
B1420-716-B00	2	4	4-1	B1508-816-C0F	6	11	3	B3101-704-0B0	3	6	4	R4505-E0F-C00	3	6	6
B1420-716-B00	3	5	4-1	B1508-816-C0F	8	16	3	B3101-704-0B0	4	7	4	R4505-E0H-C00	4	7	6
B1420-716-B00	3	6	5-1	B1508-816-D0B	10	19	3	B3101-704-0B0	5	10	7	R4506-E0C-C00	4	8	5
B1420-716-B00	4	7	5-1	B1508-816-D0B	10	20	3	B3101-704-0B0	6	12	1	R4506-E0E-C00	5	9	7
B1420-716-B00	8	15	5-1	B1508-816-D0B	11	21	3	B3101-704-0B0	7	13	1	R4506-E0F-C00	5	10	8
B1420-716-C00	4	8	4-1	B1508-816-F0D	11	22	5	B3101-704-0B0	7	14	1	R4506-E0H-C00	6	11	8
B1420-716-C00	5	9	6-1	B1508-816-F0D	12	23	5	B3101-704-0B0	8	16	6	R4508-E0F-C00	6	12	2
B1420-716-C00	5	10	6-1	B1508-816-F0D	12	24	5	B3101-704-0B0	9	17	6	R4508-E0G-C00	7	13	2
B1420-716-C00	6	11	7-1	B1515-816-00B	11	22	4	B3101-704-0B0	9	18	1	R4508-E0H-C00	7	14	2
B1420-716-C00	8	16	7-1	B1515-816-00B	12	23	4	B3101-704-0B0	10	19	6	R4605-E0D-F00	8	15	6
B1420-716-C00	9	17	7-1	B1515-816-00B	12	24	4	B3101-704-0B0	10	20	6	R4606-E0E-F00	8	16	8
B1420-716-F00	11	22	9-1	B1530-816-D00	2	3	4	B3101-704-0B0	11	21	6	R4606-E0F-F00	9	17	8
B1420-716-F00	12	23	9-1	B1530-816-D00	4	7	2-1	B3101-704-0B0	11	22	8	R4603-E0D-F00	9	18	2
B1420-716-F00	12	24	9-1	B1530-816-D00	5	9	4	B3101-704-0B0	12	23	8	R4608-E0E-G00	10	19	7
B1428-801-000	13	26	8	B1530-816-D00	5	10	4	B3101-704-0B0	12	24	8	R4608-E0F-G00	10	20	7
B1428-803-000	13	25	1	B1530-816-D00	6	11	4	B3101-704-0B0	13	25	6	R4608-E0H-G00-A	11	21	7
B1435-801-000	13	26	1	B1530-816-D00	8	16	4	B3101-704-000	6	11	6	R4612-E0D-G00	11	22	10
B1506-816-F0B	11	22	3	B1530-816-D00	9	17	4	B3101-704-0B0	8	15	4	R4612-E0F-G00-A	12	23	10
B1506-816-F0B	12	23	3	B1530-816-D00	10	19	4	B3102-704-0B0	13	25	4	R4612-E0H-G00	12	24	10
B1506-816-F0B	12	24	3	B1530-816-D00	10	20	4	B3102-704-0B0	13	26	5				
B1507-816-AAA	1	2	1	B1530-816-D00	11	21	4	B3102-816-000	13	25	8	SCREW			ネジ
B1507-816-AAB	1	1	1	B1530-816-D00	11	22	6	B3102-816-000	13	26	7	SS-6060340-SP	2	3	5
B1507-816-AAE	2	3	1	B1530-816-D00	12	23	6	B3103-704-0B0	13	25	5	SS-6060340-SP	4	7	2-2
B1507-816-A0A	1	2	2	B1530-816-D00	12	24	6	B3108-704-000	13	25	7	SS-6060340-SP	5	9	5
B1507-816-A0B	1	1	2	B1656-816-B0F	1	1	8					SS-6060340-SP	5	10	5

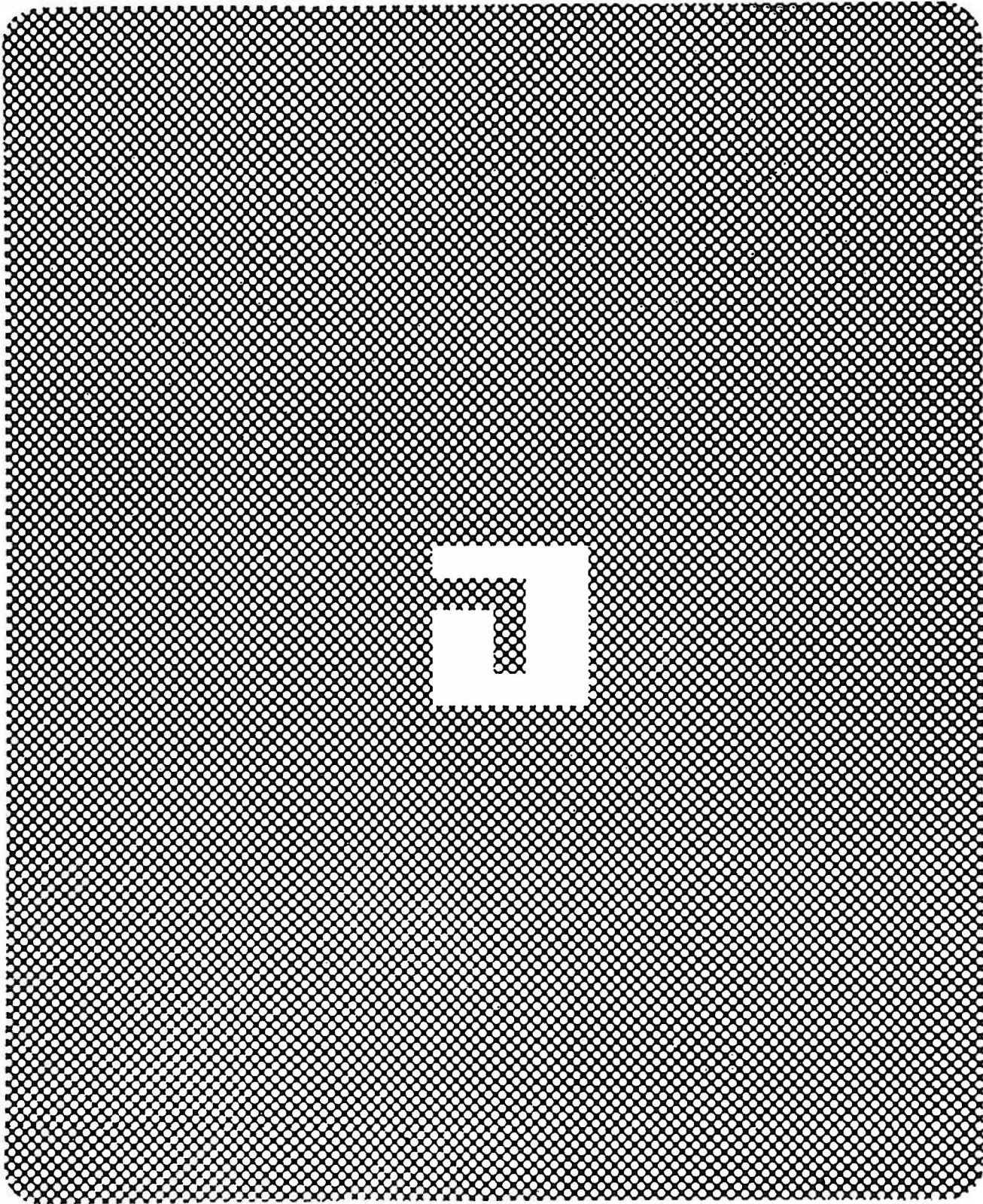


Part No. 品番	Page 頁	Item 項目	Ref. No.
SS-6060340-SP	6	11	5
SS-6060340-SP	8	16	5
SS-6060340-SP	9	17	5
SS-6060340-SP	10	19	5
SS-6060340-SP	10	20	5
SS-6060340-SP	11	21	5
SS-6060340-SP	11	22	7
SS-6060340-SP	12	23	7
SS-6060340-SP	12	24	7
SS-7110710-SL	13	25	2
SS-7110710-SL	13	26	2
SS-8080310-TP	11	22	9-2
SS-8080310-TP	12	23	9-2
SS-8080310-TP	12	24	9-2

# MO-816







**JUKI**<sup>®</sup>  
**TOKYO JUKI INDUSTRIAL CO., LTD.**

Address : 23-3, Kabuki-cho 1-chome, Shinjuku-ku,  
Tokyo 160, Japan  
Cable : JUKI TOKYO  
Telex : 22967; 232-2301  
Phone : 03 (203) 8241

  
**東京重機工業株式会社**

本 社・東京都調布市国領町 8 の 2 の 1 TEL 480 1111 大代